

# Conversion Graphs 1

## Miles and Kilometres

Use the blank graph or draw your own on graph paper, to create a conversion graph to convert distances between miles and kilometres.

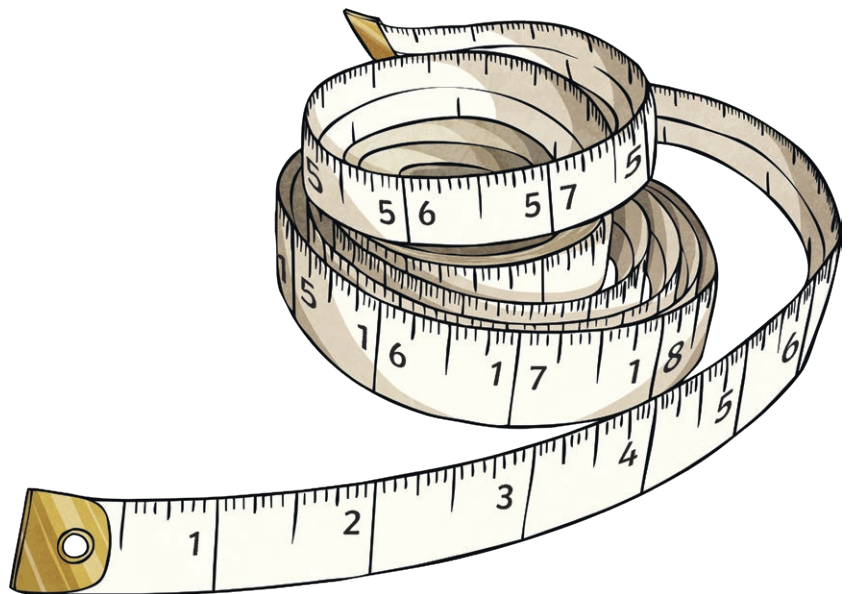
1. First of all, plot the following points on the graph:

- a. 8km = 5 miles
- b. 20 miles = 32km
- c. 16km = 10 miles
- d. 0 miles = 0km

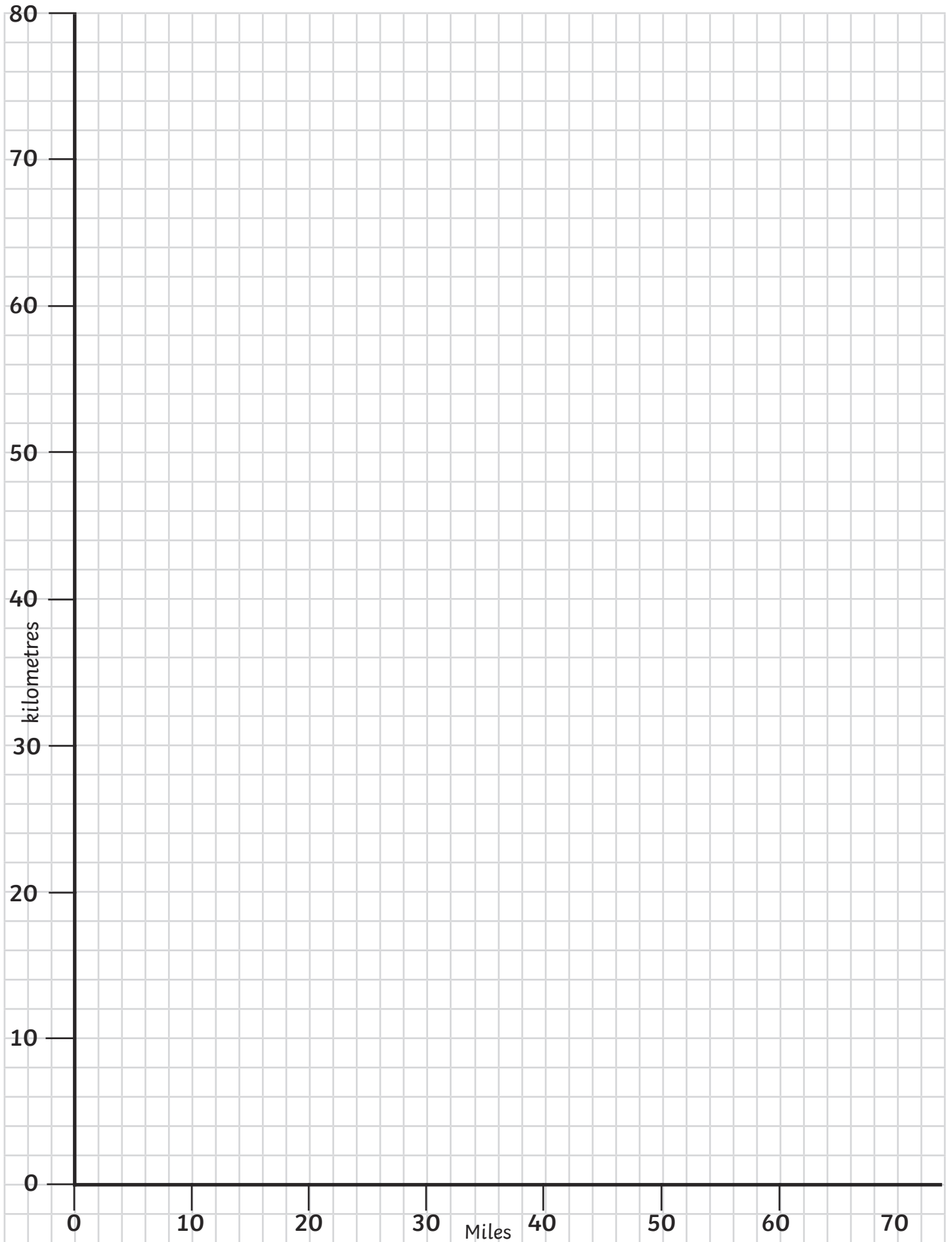
2. Now, using a ruler, join up the points with a straight line.

3. Now, use the line on your graph to finish the following conversions:

- a. 15 miles = \_\_\_\_\_
- b. 30km = \_\_\_\_\_
- c. 35 miles = \_\_\_\_\_
- d. 49km = \_\_\_\_\_



## Conversion Graphs 2 Kilometres and Miles



# Conversion Graphs 2

## Centimetres and Inches

Use the blank graph below, or draw your own on graph paper, to create a conversion graph to convert lengths between centimetres and inches.

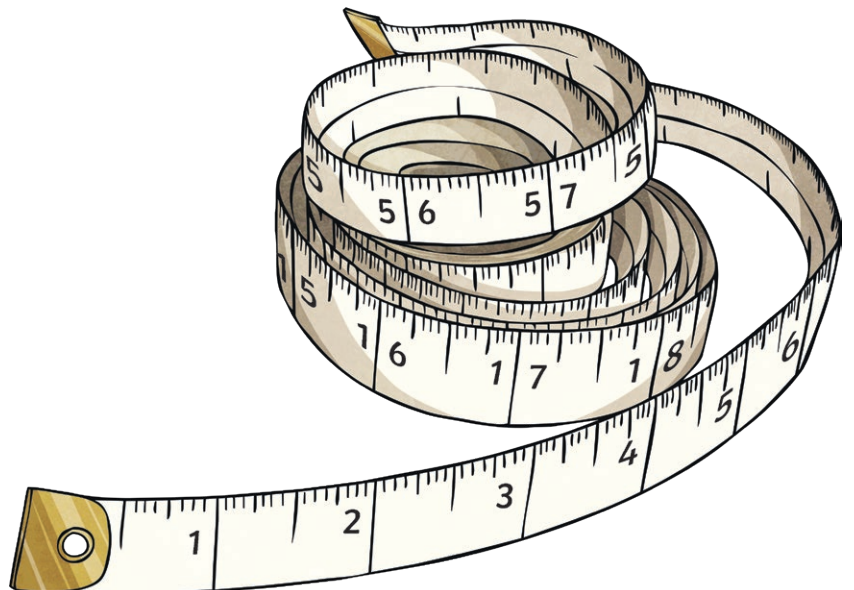
1. First of all, plot the following points on the graph:

- a. 4 inches = 10cm
- b. 51cm = 20 inches
- c. 10 inches = 25cm
- d. 0cm = 0 inches

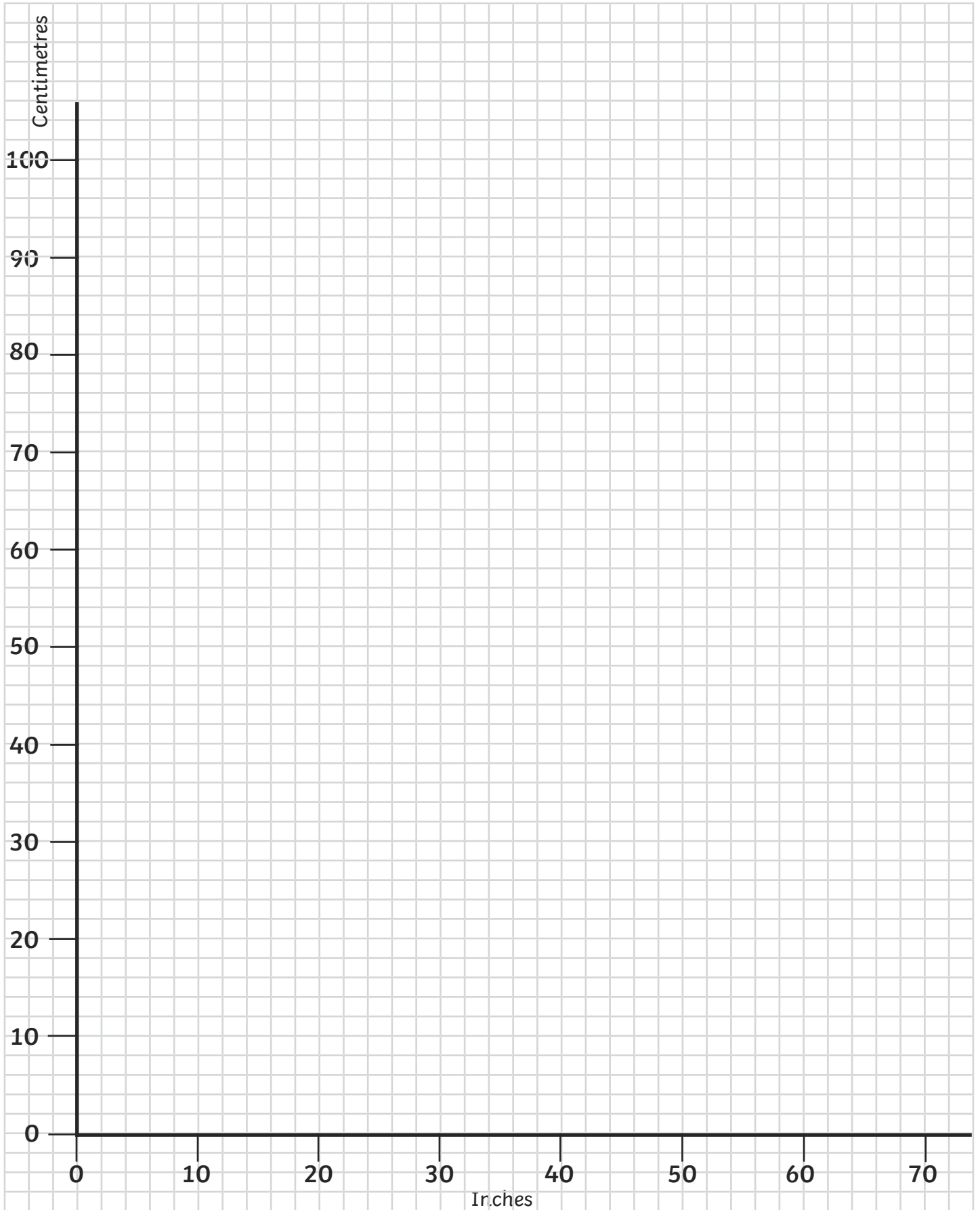
2. Now, using a ruler, join up the points with a straight line.

3. Now, use the line on your graph to finish the following conversions:

- a. 16 inches = \_\_\_\_\_
- b. 30 inches = \_\_\_\_\_
- c. 60 cm = \_\_\_\_\_
- d. 100 cm = \_\_\_\_\_



## Conversion Graphs 2 Centimetres and Inches



# Conversion Graphs 3

## Celsius and Fahrenheit

Use the blank graph below, or draw your own on graph paper, to create a conversion graph to convert temperatures between Celsius and Fahrenheit.

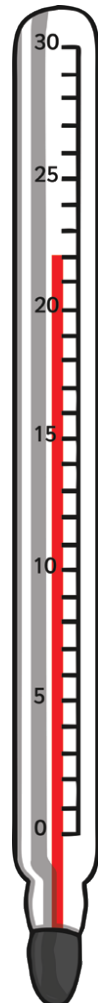
1. First of all, plot the following points on the graph:

- a.  $10^{\circ}\text{C} = 50^{\circ}\text{F}$
- b.  $32^{\circ}\text{F} = 0^{\circ}\text{C}$
- c.  $5^{\circ}\text{C} = 41^{\circ}\text{F}$
- d.  $68^{\circ}\text{F} = 20^{\circ}\text{C}$

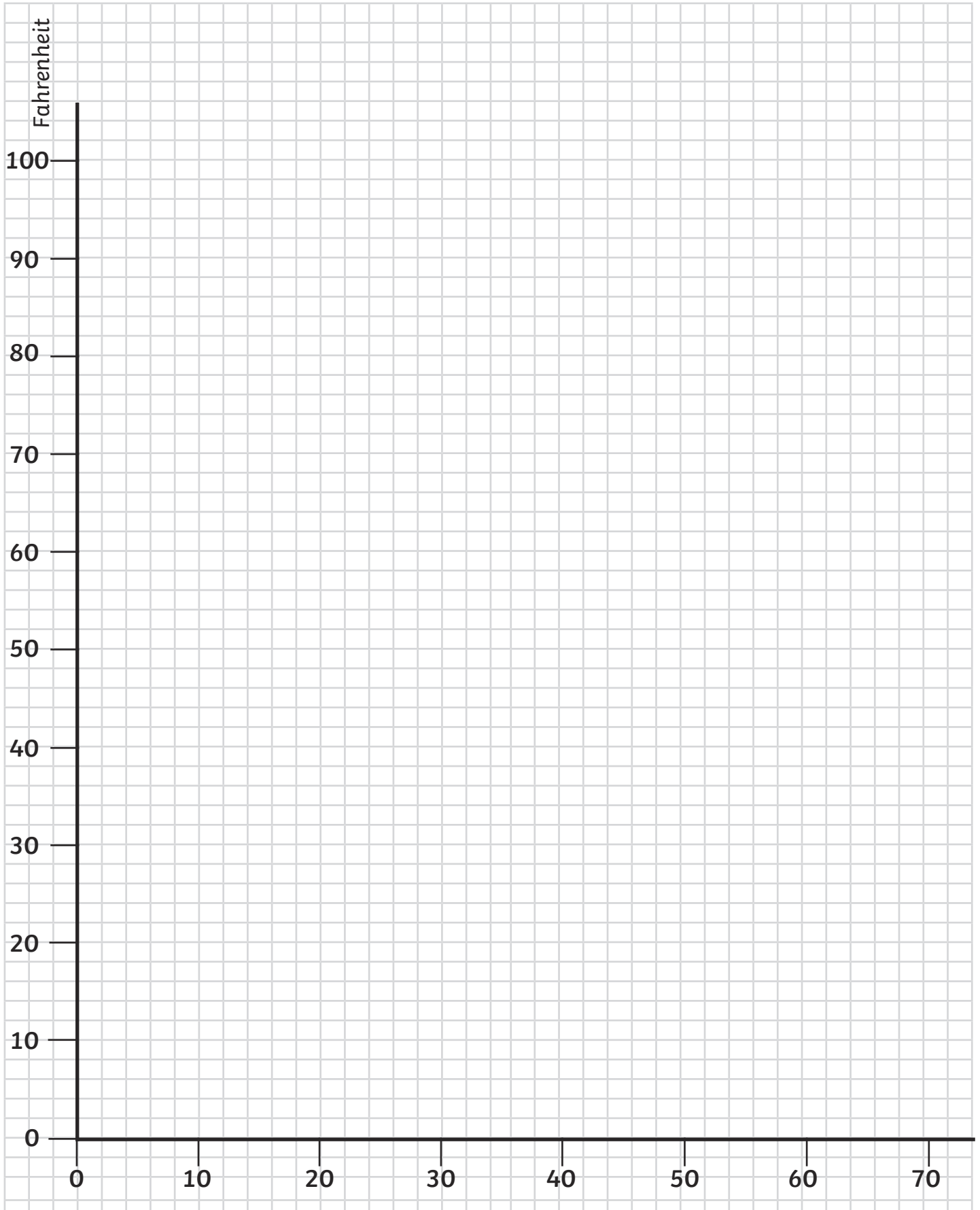
2. Now, using a ruler, join up the points with a straight line.

3. Now, use the line on your graph to finish the following conversions:

- a.  $60^{\circ}\text{F} = \underline{\hspace{2cm}}$
- b.  $25^{\circ}\text{C} = \underline{\hspace{2cm}}$
- c.  $100^{\circ}\text{F} = \underline{\hspace{2cm}}$
- d.  $32^{\circ}\text{C} = \underline{\hspace{2cm}}$



## Conversion Graphs 2 Celsius and Fahrenheit



# Conversion Graphs 1

## Miles and Kilometres **Answers**

Use the blank graph or draw your own on graph paper, to create a conversion graph to convert distances between miles and kilometres.

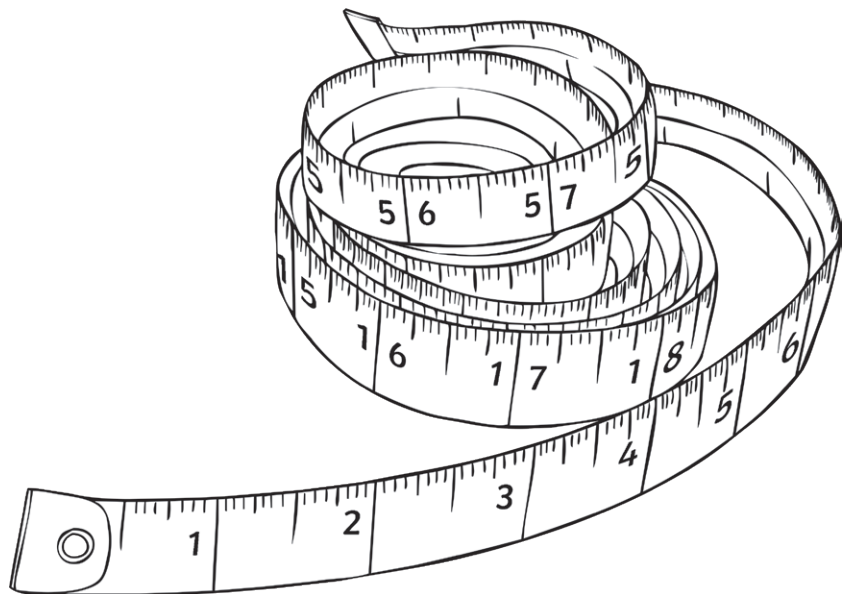
1. First of all, plot the following points on the graph:

- a. 8km = 5 miles
- b. 20 miles = 32km
- c. 16km = 10 miles
- d. 0 miles = 0km

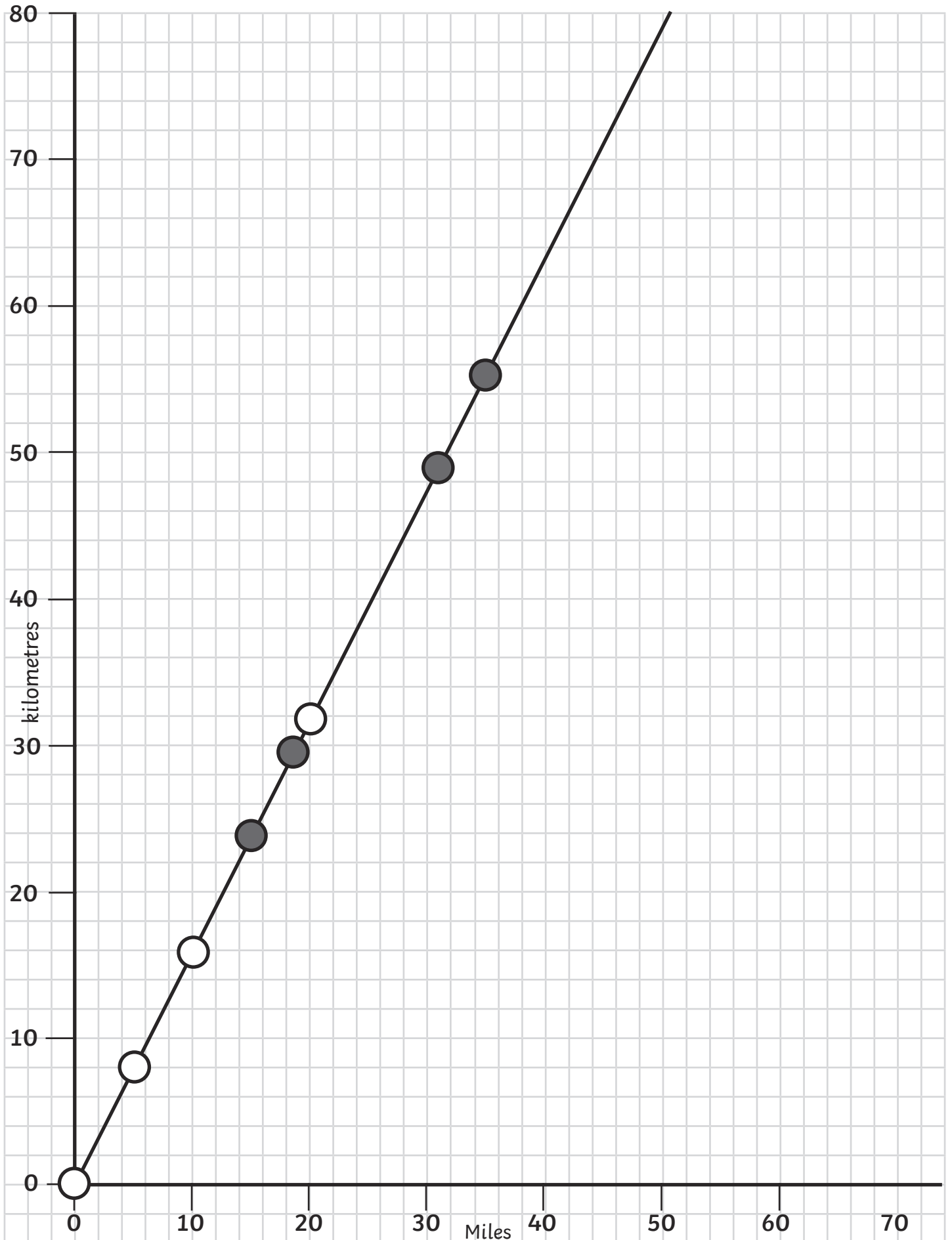
2. Now, using a ruler, join up the points with a straight line.

3. Now, use the line on your graph to finish the following conversions:

- a. 15 miles = **24 km**
- b. 30km = **19 miles**
- c. 35 miles = **56 km**
- d. 49km = **31 miles**



# Conversion Graphs 2 Kilometres and Miles **Answers**





# Conversion Graphs 2

## Centimetres and Inches **Answers**

Use the blank graph below, or draw your own on graph paper, to create a conversion graph to convert lengths between centimetres and inches.

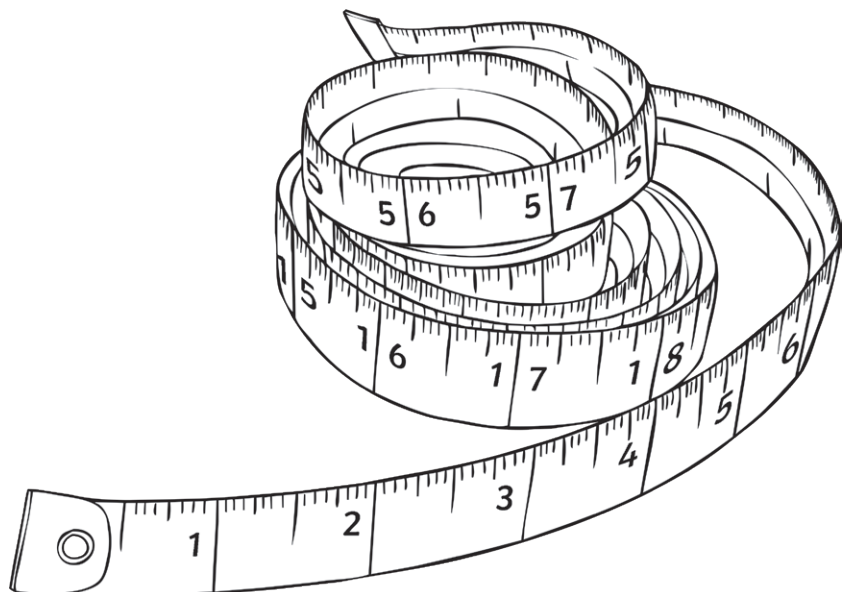
1. First of all, plot the following points on the graph:

- a. 4 inches = 10cm
- b. 51cm = 20 inches
- c. 10 inches = 25cm
- d. 0cm = 0 inches

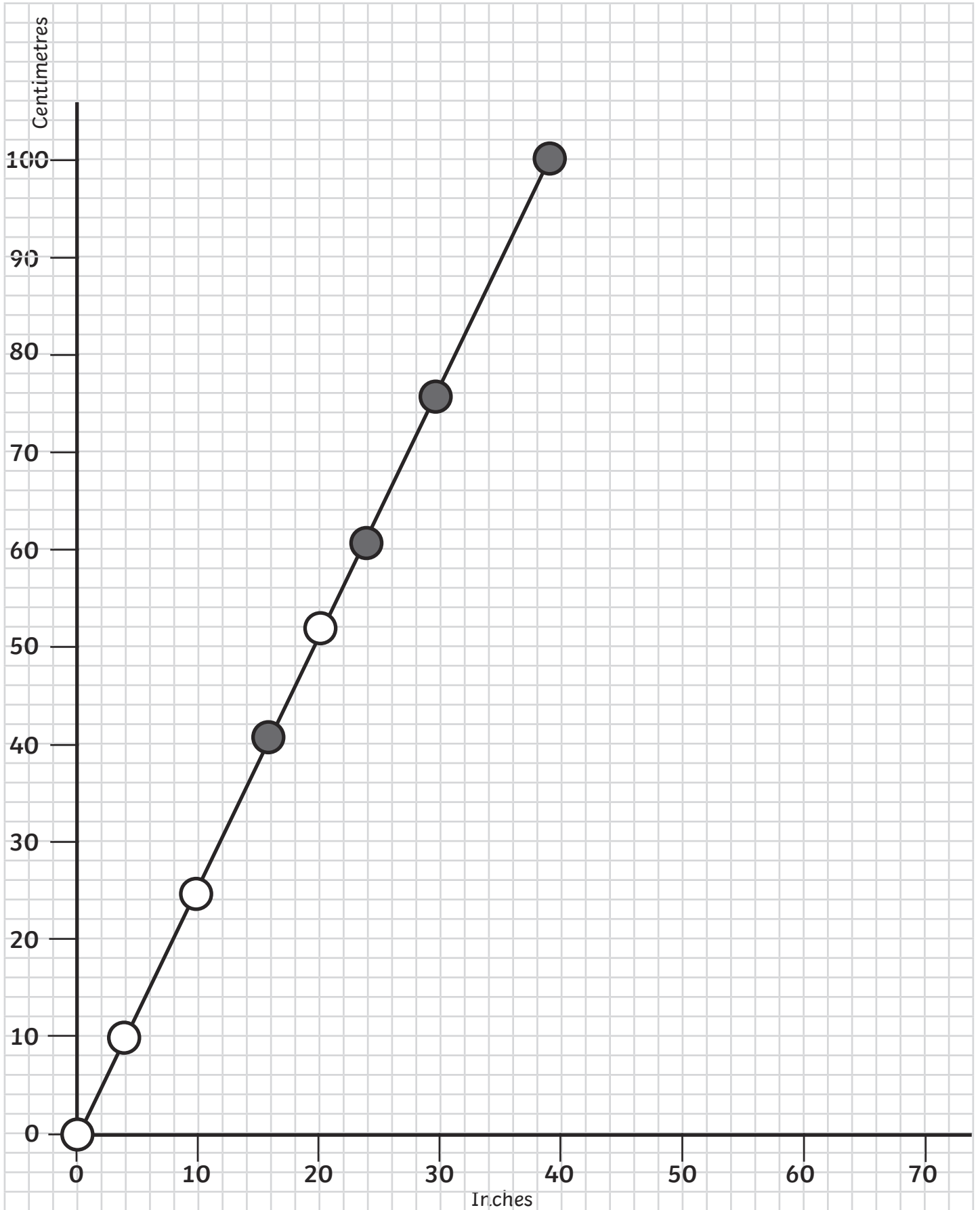
2. Now, using a ruler, join up the points with a straight line.

3. Now, use the line on your graph to finish the following conversions:

- a. 16 inches = **41 cm**
- b. 60 cm = **24 inches**
- c. 30 inches = **76 cm**
- d. 100 cm = **39 inches**



## Conversion Graphs 2 Centimetres and Inches Answers



# Conversion Graphs 3

## Celsius and Fahrenheit **Answers**

Use the blank graph below, or draw your own on graph paper, to create a conversion graph to convert temperatures between Celsius and Fahrenheit.

1. First of all, plot the following points on the graph:

- a.  $10^{\circ}\text{C} = 50^{\circ}\text{F}$
- b.  $32^{\circ}\text{F} = 0^{\circ}\text{C}$
- c.  $5^{\circ}\text{C} = 41^{\circ}\text{F}$
- d.  $68^{\circ}\text{F} = 20^{\circ}\text{C}$

2. Now, using a ruler, join up the points with a straight line.

3. Now, use the line on your graph to finish the following conversions:

- a.  $60^{\circ}\text{F} = \mathbf{16^{\circ}\text{C}}$
- b.  $25^{\circ}\text{C} = \mathbf{77^{\circ}\text{F}}$
- c.  $100^{\circ}\text{F} = \mathbf{38^{\circ}\text{C}}$
- d.  $32^{\circ}\text{C} = \mathbf{90^{\circ}\text{F}}$



# Conversion Graphs 2 Celsius and Fahrenheit **Answers**

